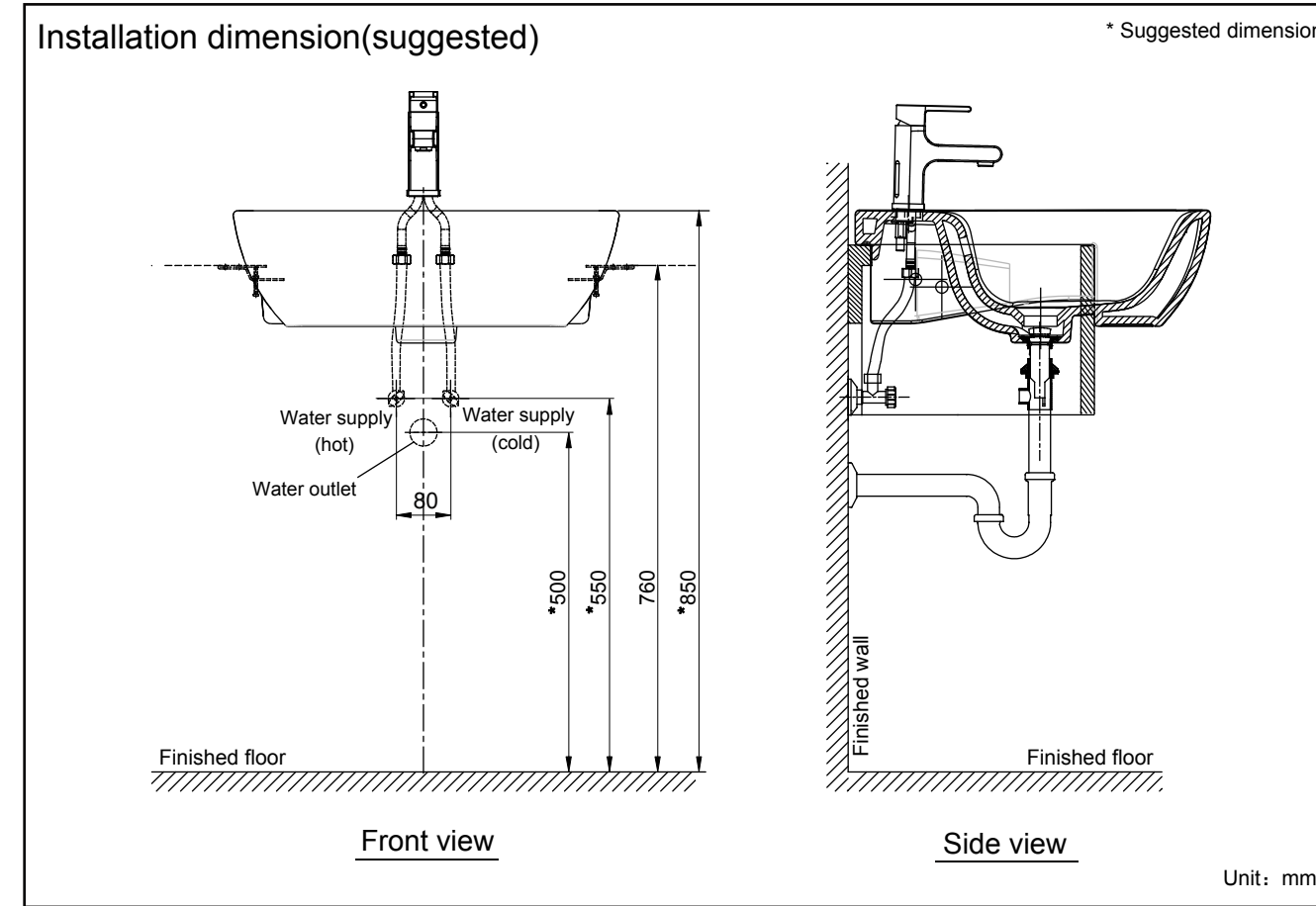
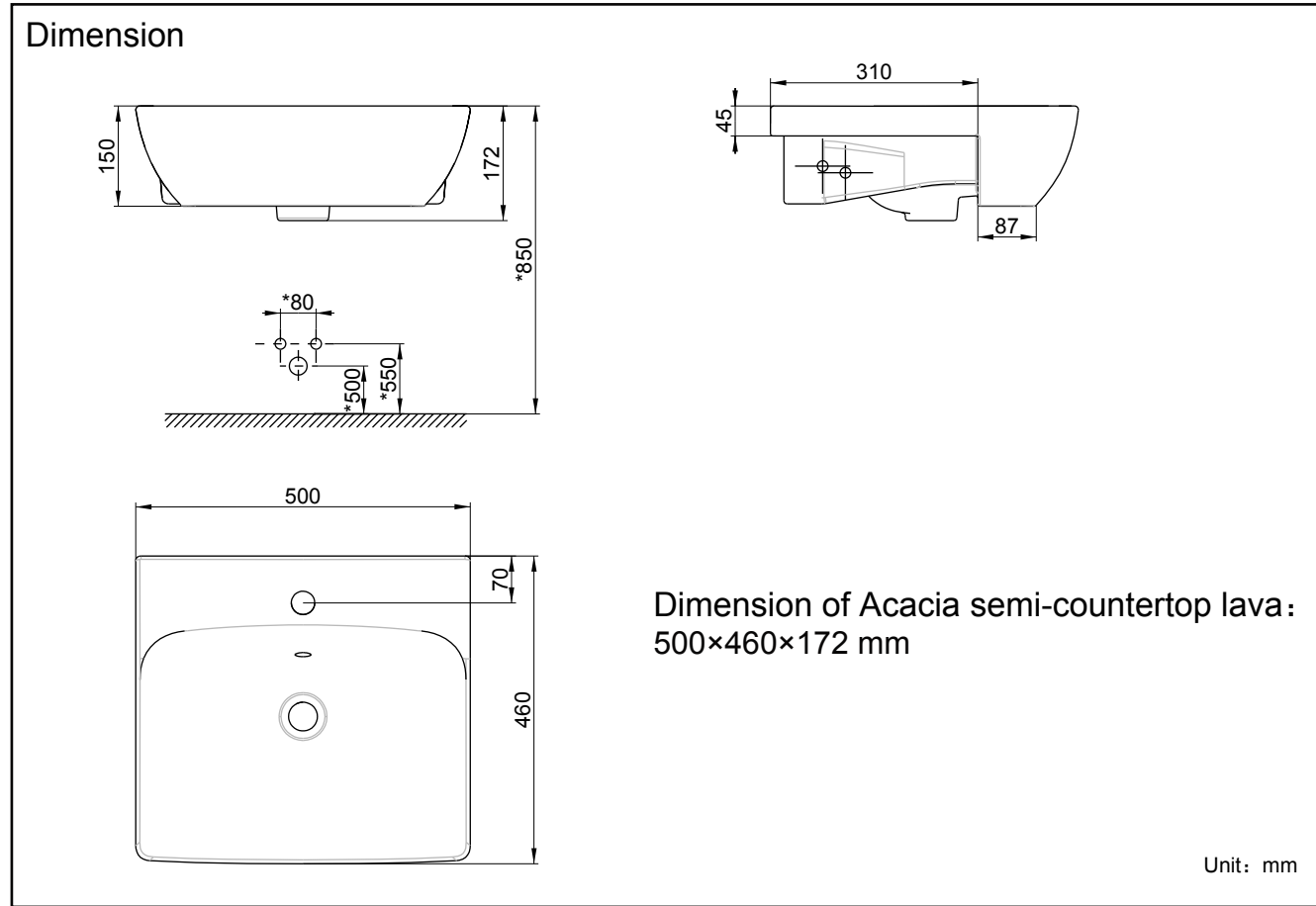
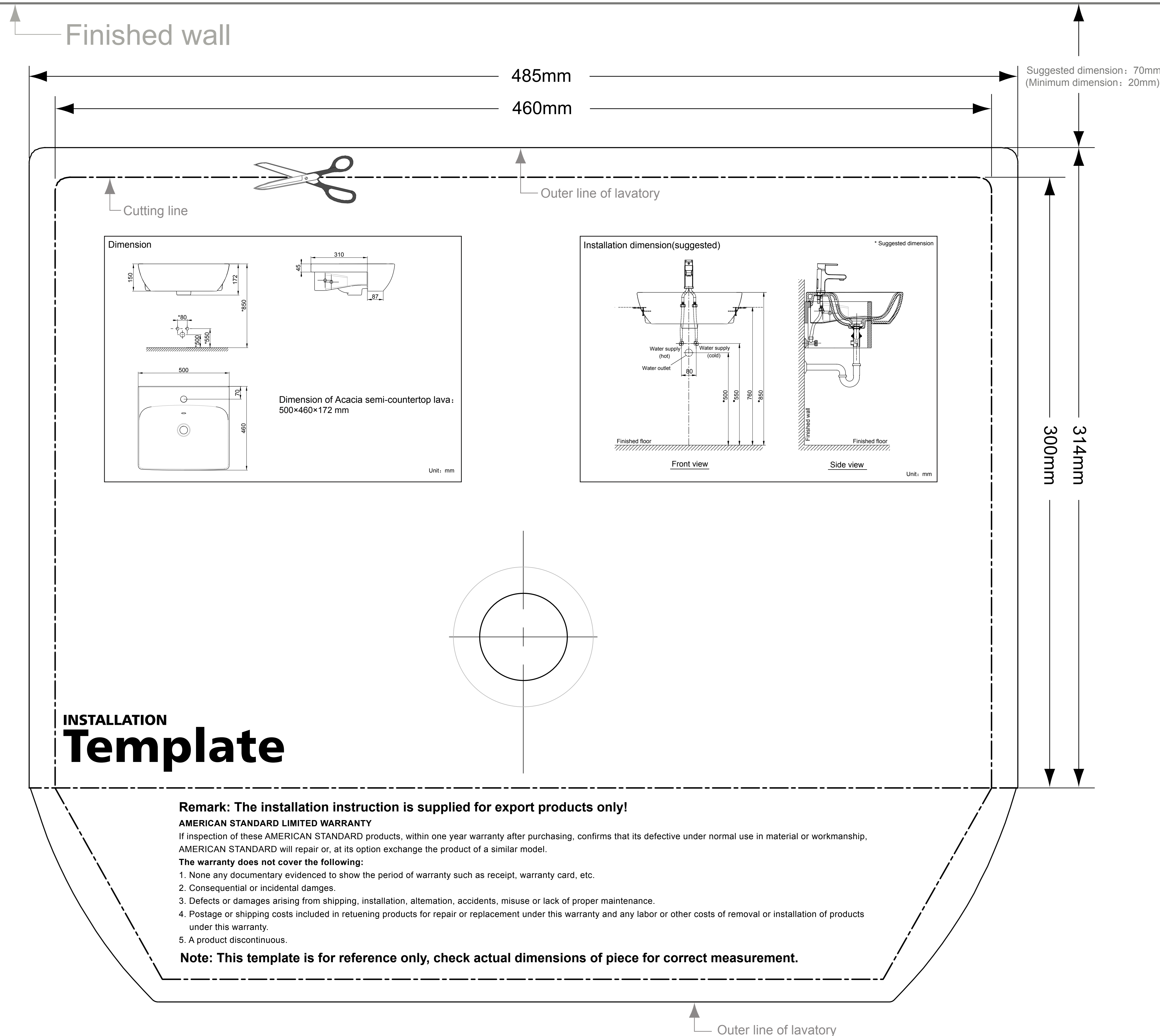


# Milano Semi-countertop Lava 500mm CCASF301



## INSTALLATION Template

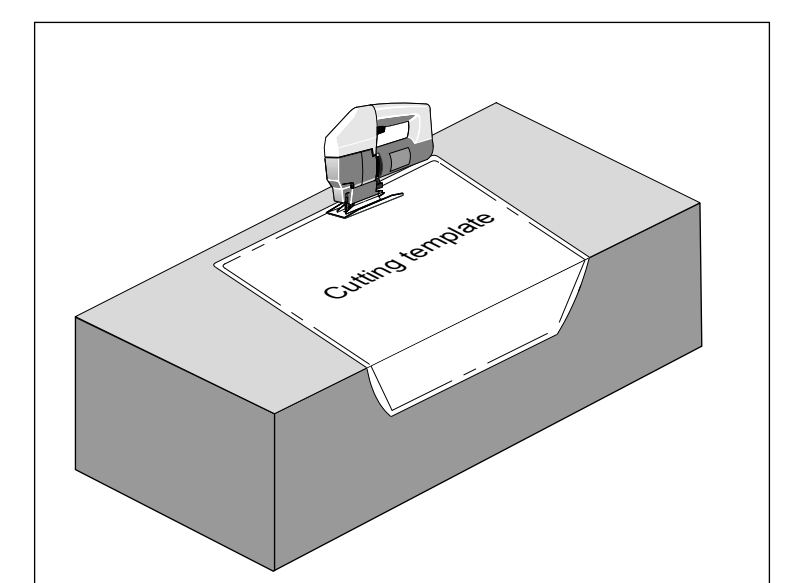
**Remark: The installation instruction is supplied for export products only!**

**AMERICAN STANDARD LIMITED WARRANTY**  
If inspection of these AMERICAN STANDARD products, within one year warranty after purchasing, confirms that its defective under normal use in material or workmanship, AMERICAN STANDARD will repair or, at its option exchange the product of a similar model.

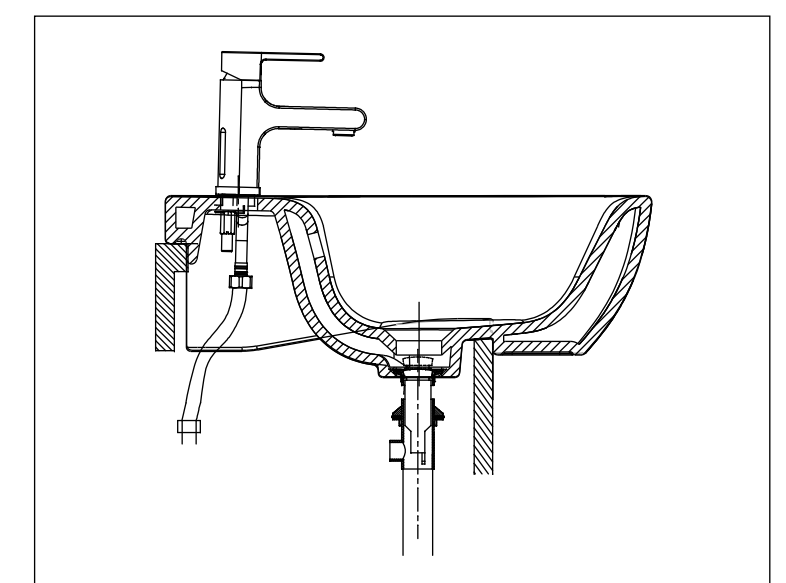
**The warranty does not cover the following:**

1. None any documentary evidenced to show the period of warranty such as receipt, warranty card, etc.
2. Consequential or incidental damages.
3. Defects or damages arising from shipping, installation, alteration, accidents, misuse or lack of proper maintenance.
4. Postage or shipping costs included in returning products for repair or replacement under this warranty and any labor or other costs of removal or installation of products under this warranty.
5. A product discontinuous.

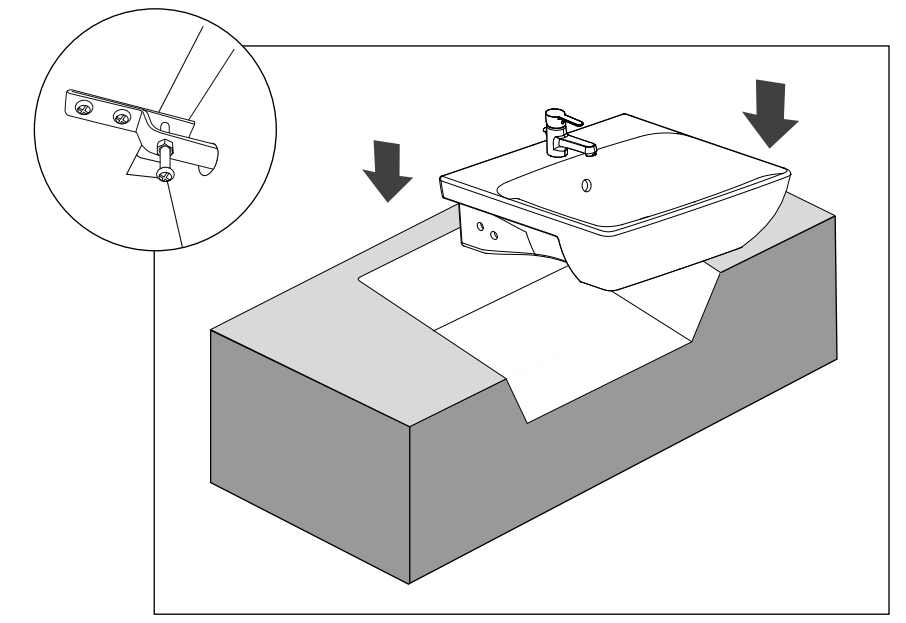
**Note: This template is for reference only, check actual dimensions of piece for correct measurement.**



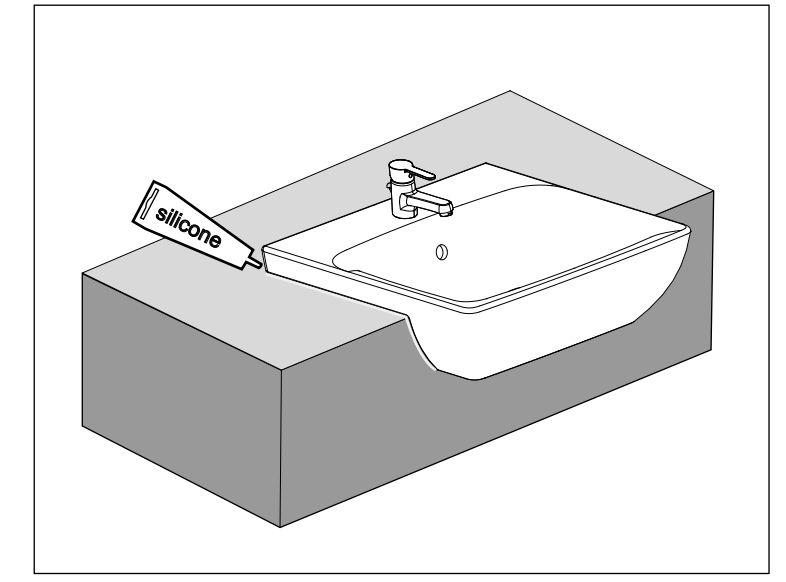
**1.**  
The template placing on the counter with position required, following lining by punching.



**2.**  
Install water supply & waste water outlet set and faucet together with lava.



**3.**  
Lava taking and follow on position required.



**4.**  
To install water supply & waste water outlet set and faucet together with lava, proper checking after finish installed, on & off water supply checking, water drianage, water leakage, If no shortcoming, to apply the sealing material with lava's rim. (Sealing material is not provided.)