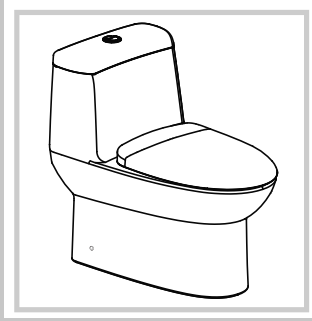


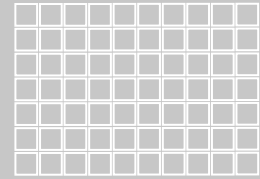
Milano

CCAS1830/CCAS1831

Installation Manual



American Standard



Thank you for selecting our products, products which have been the benchmark of fine quality for many years. To help ensure that the installation process will proceed smoothly, please read these instructions carefully before you begin. Also, review the list of recommended tools and materials. Carefully unpack and examine your new plumbing fixture.

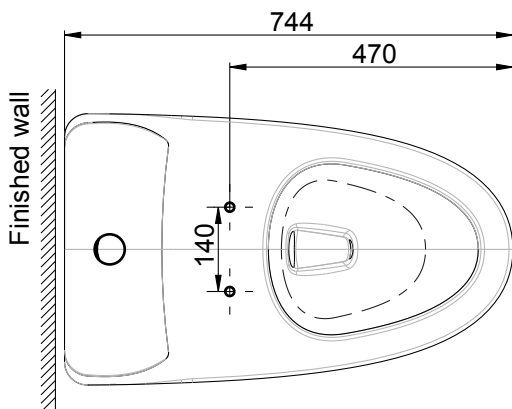
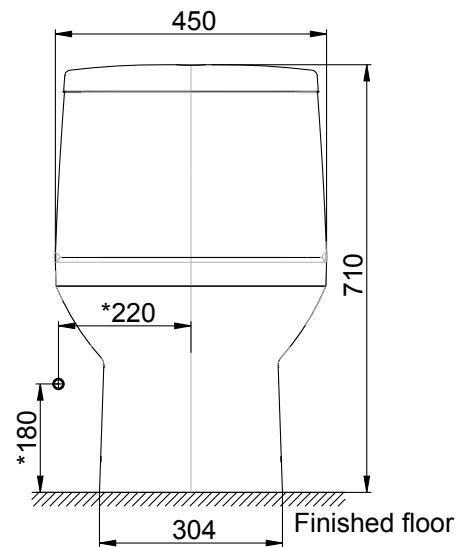
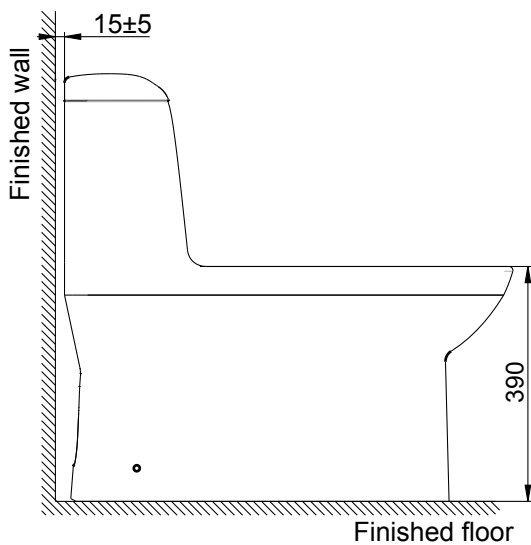
ALL INSTALLATION PROCEDURES MUST COMPLY IN STRICT ACCORDANCE WITH APPLICABLE LOCAL PLUMBING AND BUILDING CODES

Remark: This installation manual is only for installing the ceramic parts. For the tank trim or seat & cover installing, please refer to relative manual.

RECOMMENDED TOOLS AND MATERIALS

| | | | | | |
|-------------|-----------------------------|---------------------|----------------------|-------|-----------------|
| Putty Knife | Adjustable Wrench | Channel Lock Pliers | Flathead Screwdriver | Level | Hacksaw |
| Pipe Wrench | Plumber's Putty or Caulking | Tape Measure | Phillips Screwdriver | Drill | Hexagon spanner |

PRODUCT DIMENSIONS



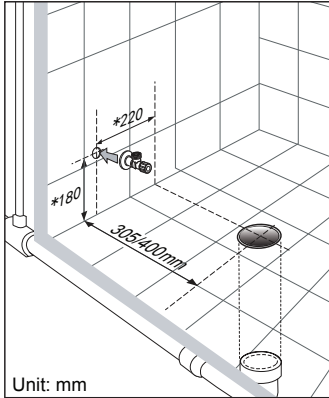
Dimensioning diagrams are provided for each model.
Note: dimensions are nominal and may vary within the range of manufacturing tolerances.
 (The * is proposed dimension.)

Unit: mm

SAVE FOR FUTURE USE

1

PIPING PREPARATION



WATER SUPPLY PIPE : Connecting size G1/2".

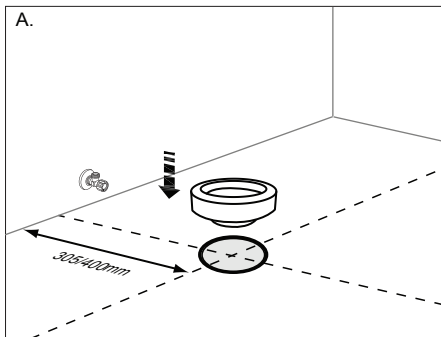
WASTE PIPE : Size \varnothing 108mm or 102mm (PVC, Pipe Class 8.5 or a regular pipe with an internal diameter of 108mm or 102mm at the connecting point with the toilet and a gradient of 2cm, per 100cm.)

Remark: \varnothing 108mm is for Korea, \varnothing 102mm is for China.

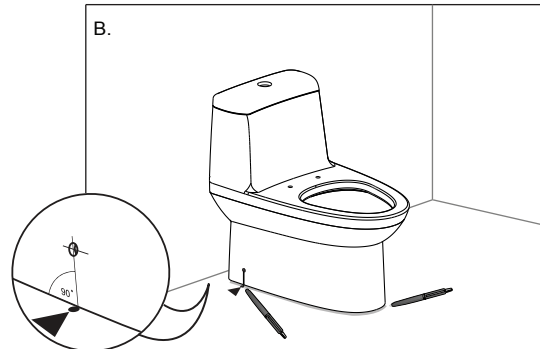
AIR VENT : Size not smaller than \varnothing 1-1/2" and must connected directly to the waste pipe.

2

MARK MOUNTING HOLES



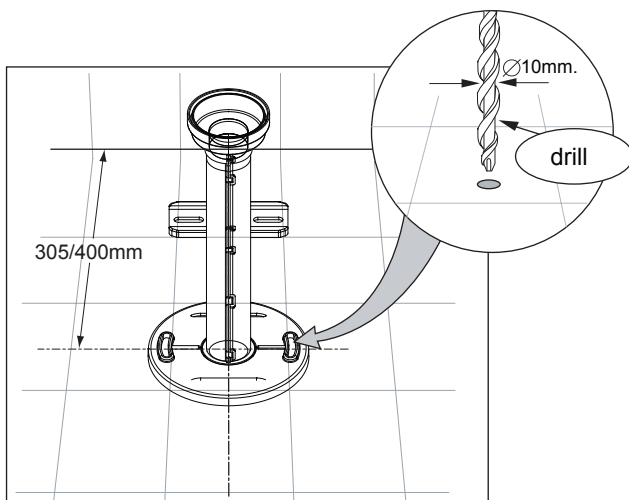
A. Insert the flange into the waste outlet pipe, ensuring that the arrow is pointing toward the floor.



B. Set properly the VC on the floor, mark the location to be drilled. (the figure just as reference)

3

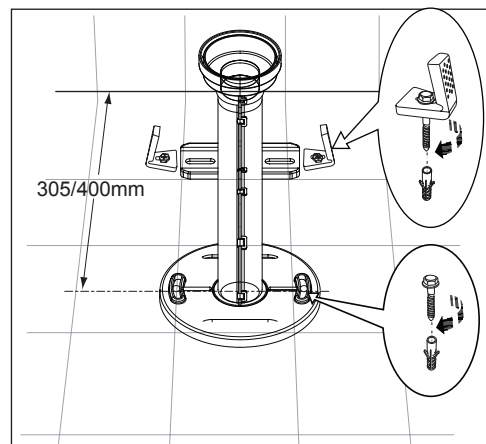
PUNCHING



Using \varnothing 10mm masonry drill bit, drill the floor to connect the floor fixing set, follow floor fixing set, follow in the figures.

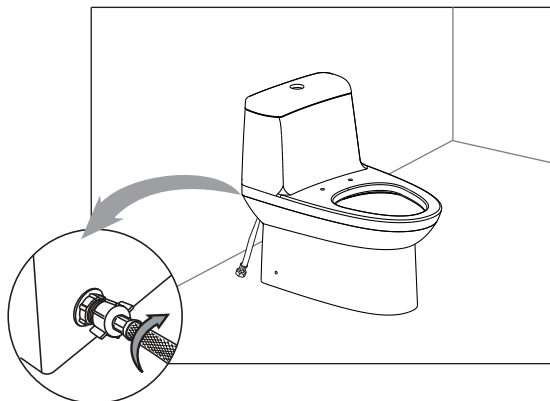
4

INSTALL FLOOR FIXING SET



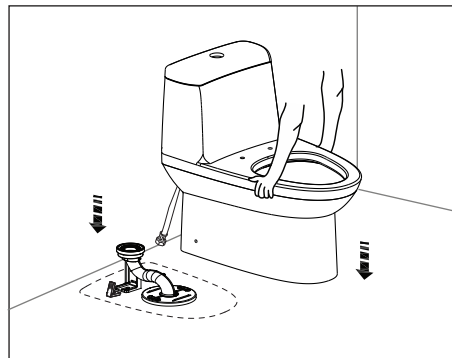
Install the floor fixing set and plastic trapway at the assigned location.

5 ASSEMBLE THE TANK



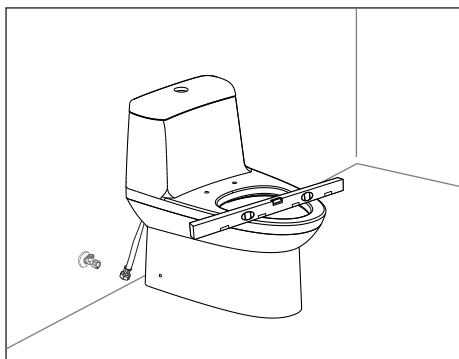
- Assemble the tank fittings.
- Attach the water supply hose properly to the water control valve on the tank and tighten snugly by hand.

6 POSITION THE TOILET



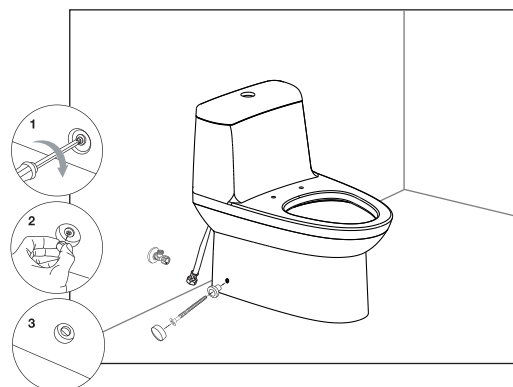
Lift the toilet with the tank trim assembly, position the toilet on the floor as picture shown.

7 CHECK LEVEL



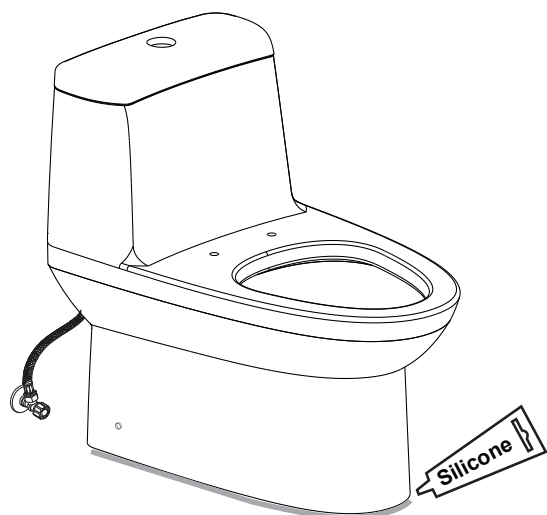
After the above installation, check level of the toilet.

8 FIX THE TOILET



Fix the toilet with the floor by using the screw with the floor fixing set.

9 FINISH THE TOILET



- Attach the water supply hose.
- Install the seat & cover according to seat & cover installation manual.
- Apply a silicone putty along the intersecting edge of the toilet base and floor, ensuring a complete seal. Remove excess sealant.

Note: Silicone is not supplied in the packaging. Using cement to fix the toilet is prohibited.

TROUBLE SHOOTING GUIDE

Using this guide and referring to the accompanying instructions should help you solve most common problems encountered.

| Problem | Possible Cause | To Correct |
|------------------------------------|--|---|
| 1. Poor flushing action | <ul style="list-style-type: none"> a. Water level in tank is below prescribed level. b. Flush valve mechanism in tank closes too quickly or does not open. c. Flush handle or button needs replacing. d. Water pressure is too low. e. Partially clogged trapway and / or drainpipe. f. Cleanser used in tank deposits residue. g. No air vent. | <ul style="list-style-type: none"> a. Set to prescribed level. b. Make sure there are no any material stuck to outlet components. c. Replace. d. Normal water supply pressure must be at least 20 psi. e. Use a plunger or toilet augur to unclog. f. Clean out tank and cease using the cleanser. g. Install air vent per instructions. |
| 2. Water won't stop running | <ul style="list-style-type: none"> a. Water level in tank is higher than overflow pipe. b. Turn off the water supply. If water continues to flow into the bowl the flush valve seat and / or rubber seal disk are worn or deformed. c. Turn off the water supply valve. If water continues to flow into the bowl until the water level falls to the level of the overflow pipe, sand or debris may be lodgeg in the water control mechanism. d. Flush valve string is too tight, holding the flush valve open. e. Button needs replacing. | <ul style="list-style-type: none"> a. Adjust the cylinder to maintain the water at the prescribed level. b. Replace seat, rubber seal disk, or complete assembly, as needed. c. Shut off water supply valve. Remove top cap of water control. Clean and reassemble, or replace plunger. d. Replace flush valve unit. e. Replace button. |
| 3. Water supply hose leaks | <ul style="list-style-type: none"> a. Improper installation b. Water pressure is too high. | <ul style="list-style-type: none"> a. Reinstall, according to instructions. b. Water pressure must not exceed 80 psi. |

CARE AND MAINTENANCE

Do not use harsh abrasives or caustic cleansers to clean fixture surface. A mild detergent, warm water, and a softcloth will remove normal dirt and soap accumulations from fittings and surfaces. Rinse thoroughly after cleaning and polish with a soft dry cloth to restore original luster of material.

⚠ NOTICE

DO NOT USE CLEANERS IN TANK. PRODUCTS CONTAINING CHLORINE (CALCIUM HYPOCHLORITE CAN SERIOUSLY DAMAGE FITTINGS IN THE TANK. THIS DAMAGE CAN CAUSE LEAKAGE AND PROPERTY DAMAGE. AMERICAN STANDARD SHALL NOT BE RESPONSIBLE OR LIABLE FOR ANY TANK FITTING DAMAGE CAUSED BY THE USE OF CLEANERS CONTAINING CHLORINE (CALCIUM HYPOCHLORITE).

AMERICAN STANDARD ONE-YEAR LIMITED WARRANTY

If inspection of this product, within one year warranty after purchasing, confirms that its defective under normal use in material or workmanship. We will repair or, at its option exchange the product of a similar model.

THE WARRANTY DOES NOT COVER THE FOLLOWING:

- 1. NONE ANY DOCUMENTARY EVIDENCES TO SHOW THE PERIOD OF WARRANTY SUCH AS RECEIPT, WARRANTY CARD, ETC.**
- 2. CONSEQUENTIAL OR INCIDENTAL DAMAGES.**
- 3. DEFECTS OR DAMAGES ARISING FROM SHIPPING, INSTALLATION, ALTERNATION, ACCIDENTS, MISUSE OR LACK OF PROPER MAINTENANCE.**
- 4. POSTAGE OR SHIPPING COSTS INCURRED IN RETURNING PRODUCTS FOR REPAIR OR REPLACEMENT UNDER THIS WARRANTY AND ANY LABOR OR OTHER COSTS OR REMOVAL OR INSTALLATION OF PRODUCTS UNDER THIS WARRANTY.**
- 5. A PRODUCT DISCONTINUOUS.**

American Standard(China) Limited Company
 No.24 Building, Gems Park, No.487 Tianlin Road,
 Shanghai, P.R.China, Post code: 200233
 Tel:(86-21) 33952888 Fax:(86-21) 33674255
 Hotline: 800-820-3191
[Http://www.americanstandard.com.cn](http://www.americanstandard.com.cn)