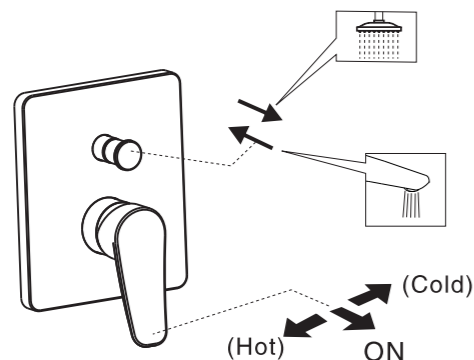


Test / Usage

1 Test

- * Turn handle to "OFF" position. Open Water supply valve to check all connections for leakage;
- * Turn handle to "ON" position. Check the water flow .

2 Usage



Trouble Shooting Guide

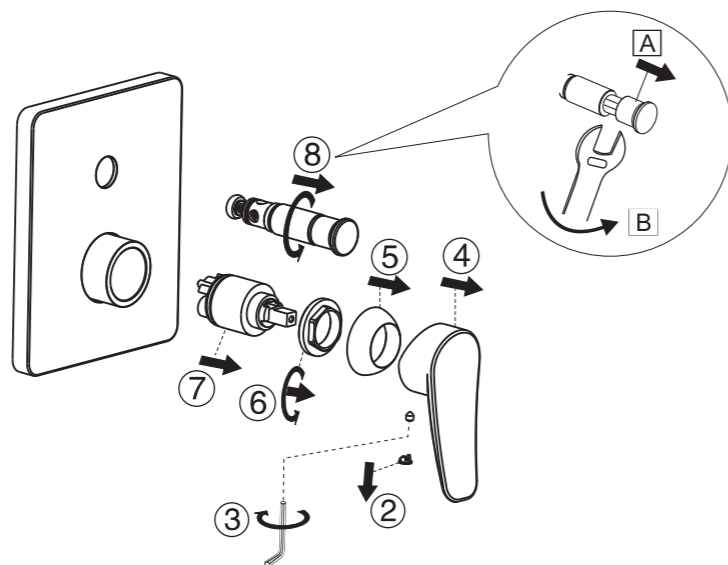
Trouble	Checkpoint	Contents	Action
Poor flow rate	Water supply valve	Check valve position.	Open it to full valve
Leakage	Cartridge packing	Check cartridge install.	When packing is damaged, replace the cartridge.
Deviant Temperature	Supply valve	Check if the water from supply valve is enough or not	Increase water supply
	Supply system	Check if the supply pipe connected correct or not	Connect the hot and cold water pipe correctly

Care & Maintenance

* If you want to do the maintenance for the faucet, please follow the below process.

①

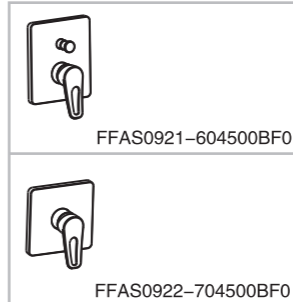
1. Close the Water Supply System



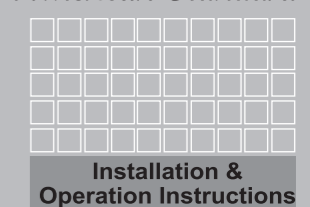
Attention:
Please Leave the manual with the customer after installation is finished.

Milano

FFAS0921-602500BF0
Milano Concealed B&S Control Valve
FFAS0922-702500BF0
Milano Concealed Shower Control Valve
FFAS0921-604500BF0
Milano Concealed B&S Control Valve
FFAS0922-704500BF0
Milano Concealed Shower Control Valve
FFAS0921-609500BF0
Milano Concealed B&S Control Valve
FFAS0922-709500BF0
Milano Concealed Shower Control Valve



American Standard



Thank you for selecting American-Standard - the benchmark of fine quality for over 100 years.
To ensure that your installation proceeds smoothly--please read these instructions carefully before you begin.

* American Standard always keep raising and improving the product design and performance, and reserve the right to modify the dimension and specification. At this case, we will not inform you separately.

* This installation instruction sheet is for your reference only, the dimension and specification is subject to the actual products.

Pre-Installation Checks

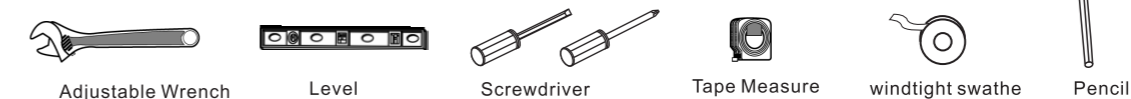
- * All instruction procedures must comply in strict accordance with applicable local plumbing and building codes
- * Remove all impurity in pipes before beginning to avoid clogging. Connect faucet pipes correctly.
- * Check installation distances in the Dimension diagram to ensure correct installation.

Conditions for use

- * Recommended water pressure condition: 0.1~0.5Mpa.
- * Environment Temperature: 1~55°C
- * Steam is not allowed to use.
- * The cold and hot water pipes must not be reserved.

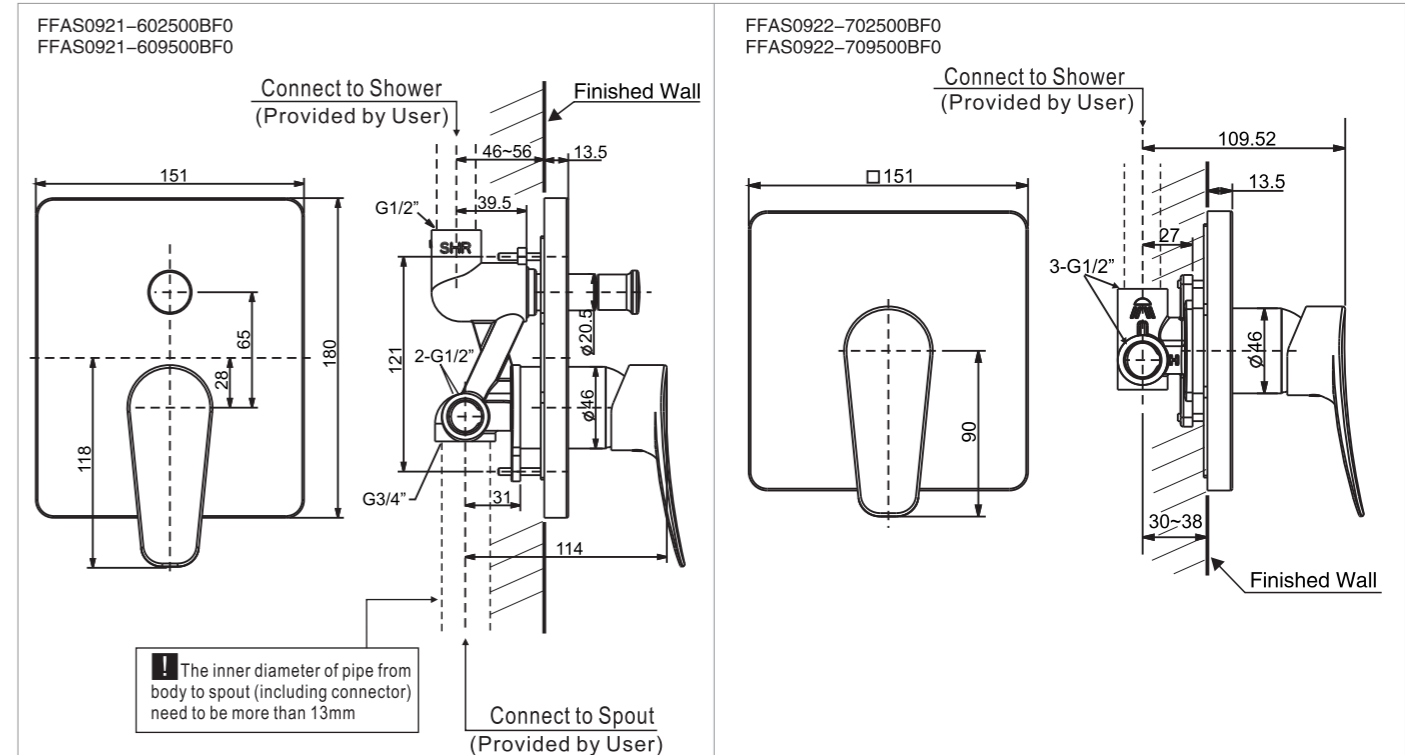
When in the process of installation, grab the whole body. Do not grab handle only.

Recommended Tools and Materials



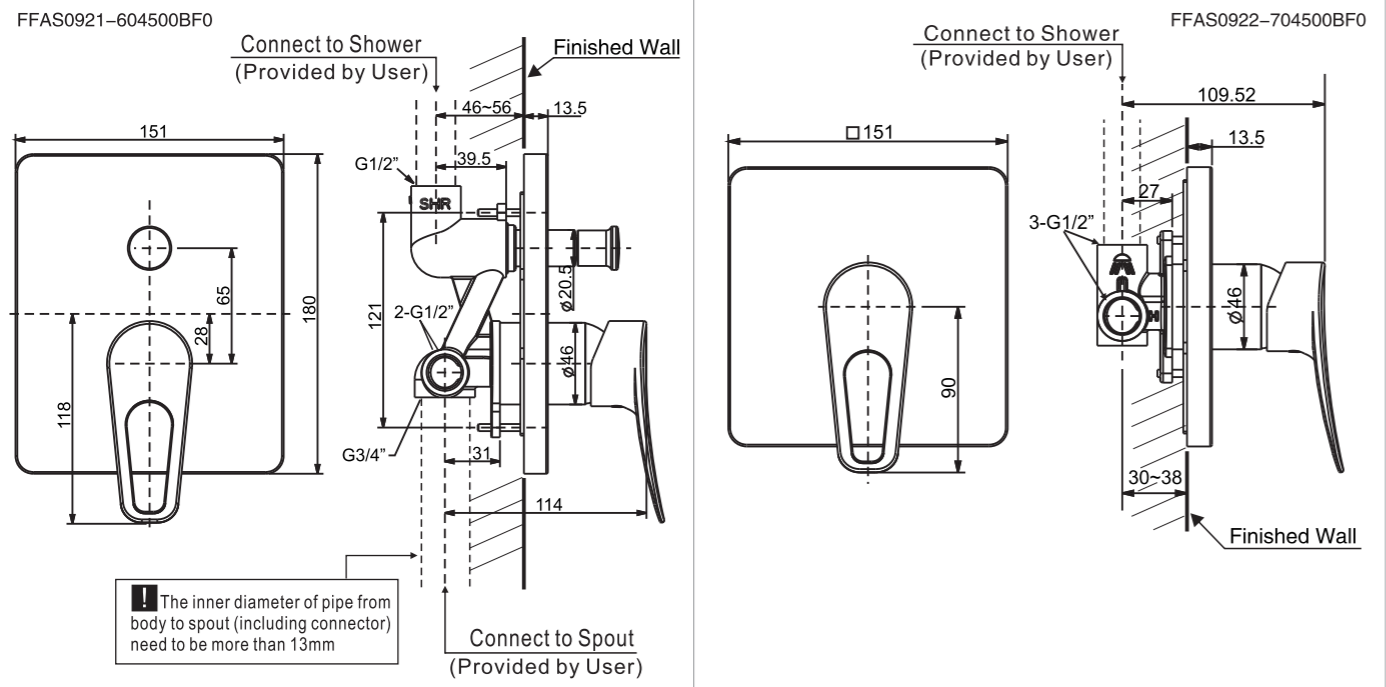
Dimension

Unit: mm

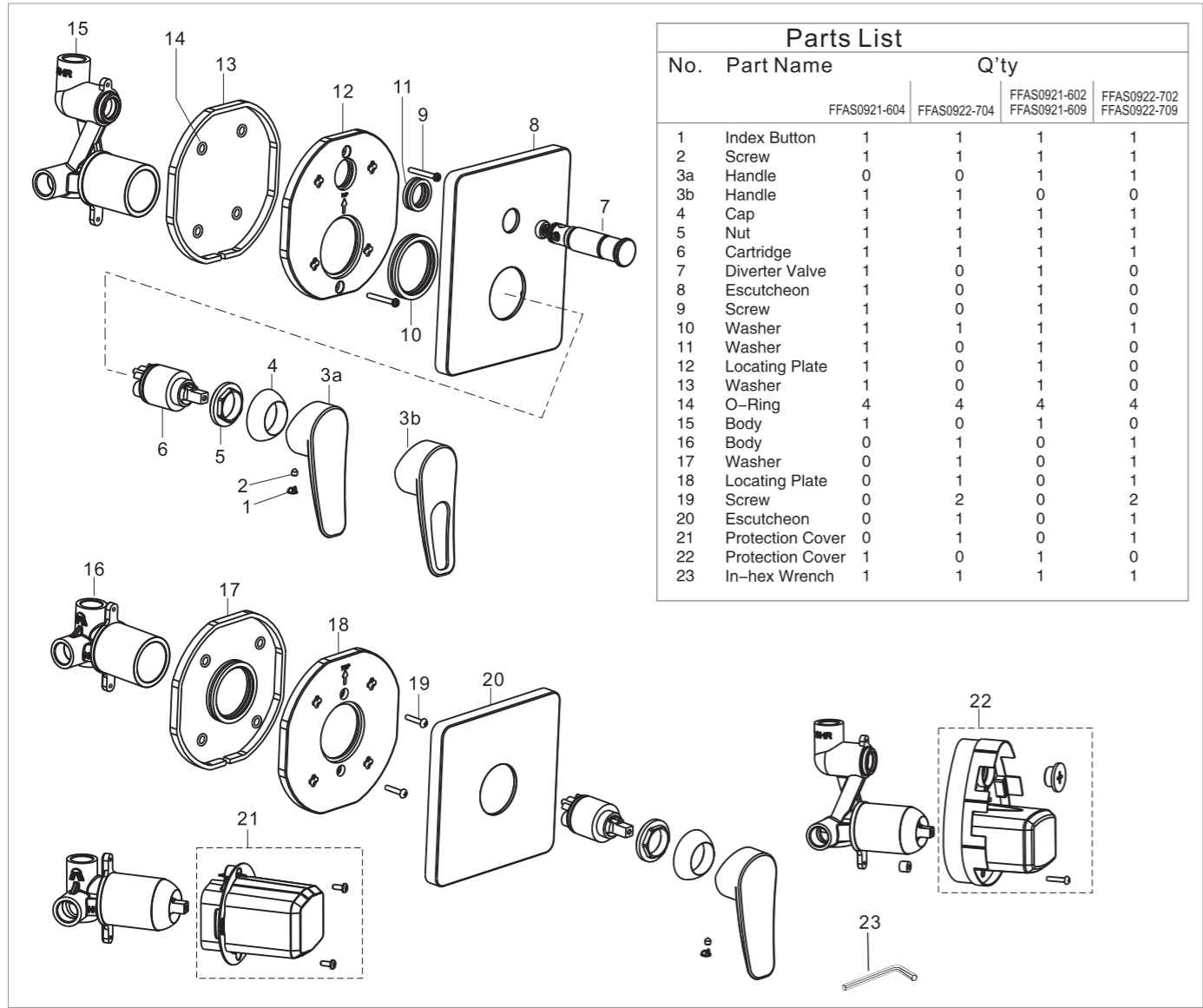


Dimension

Unit: mm

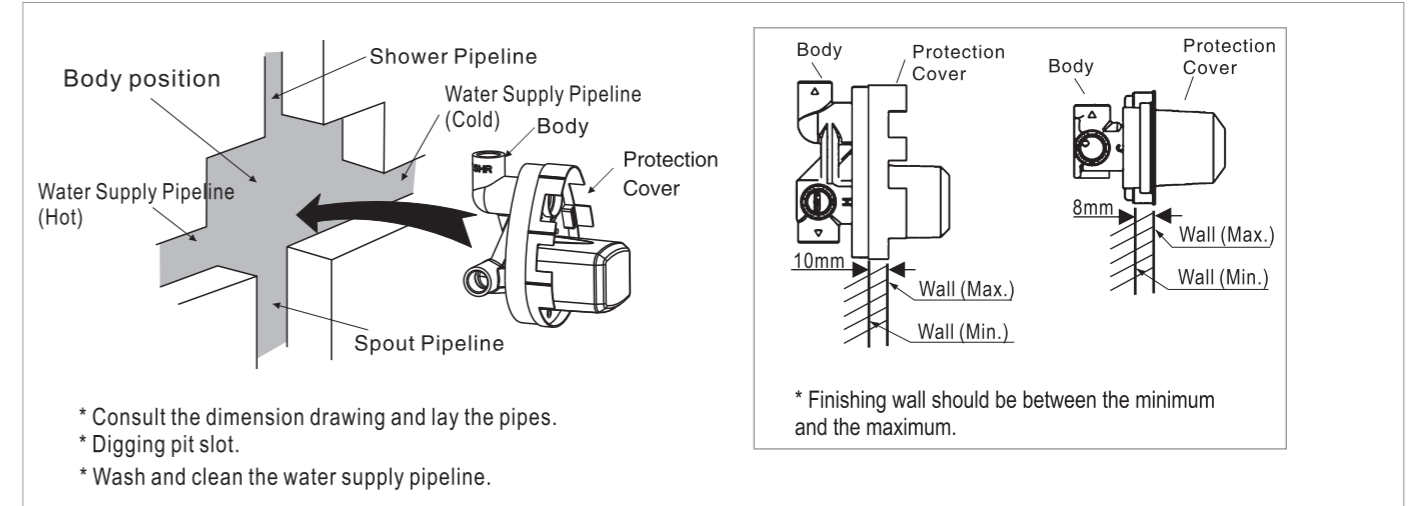


Parts List

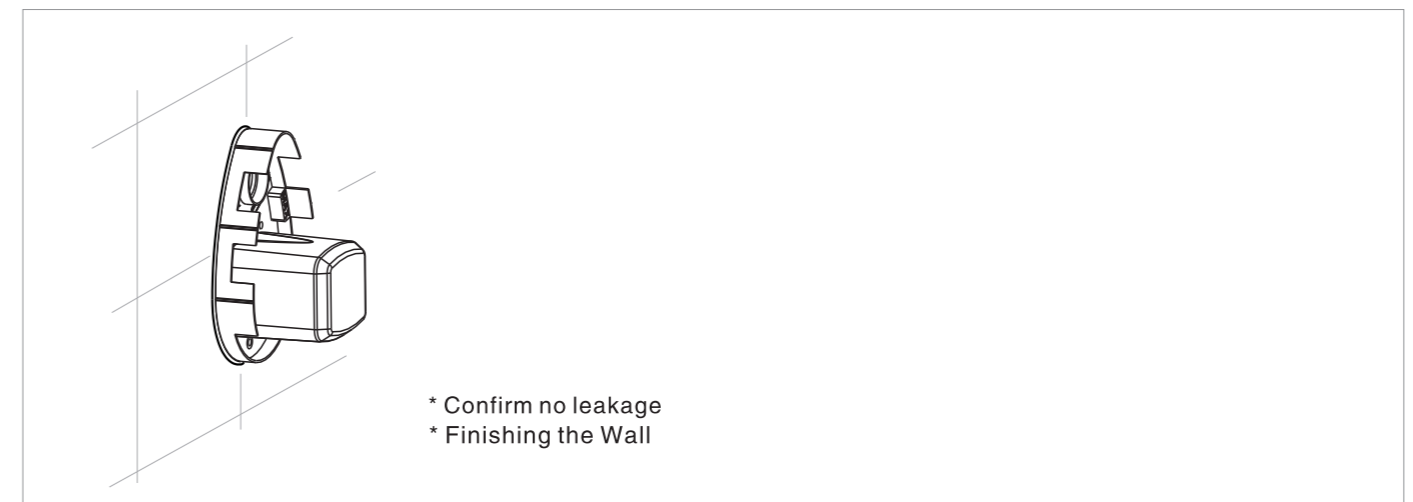


Installation

1 Installing the Body



2 Finishing the Wall



3 Installing the Escutcheon and Handle

